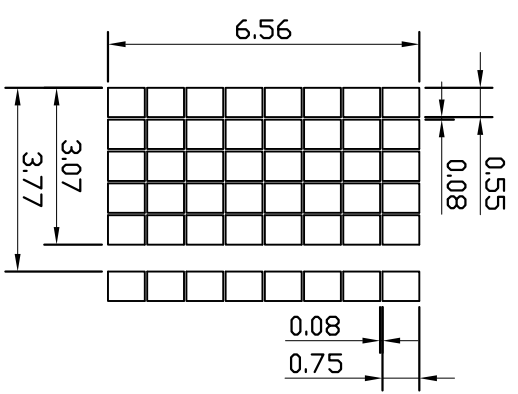
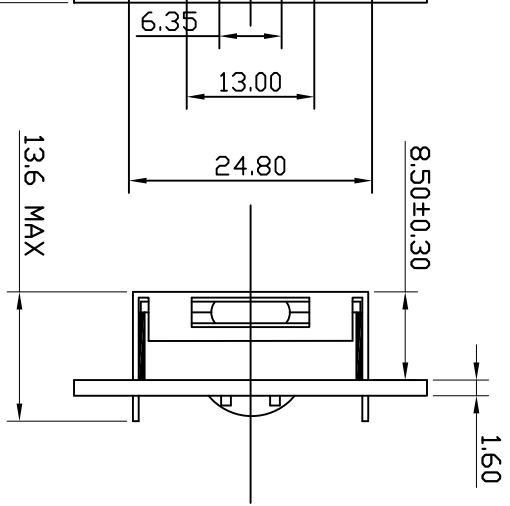
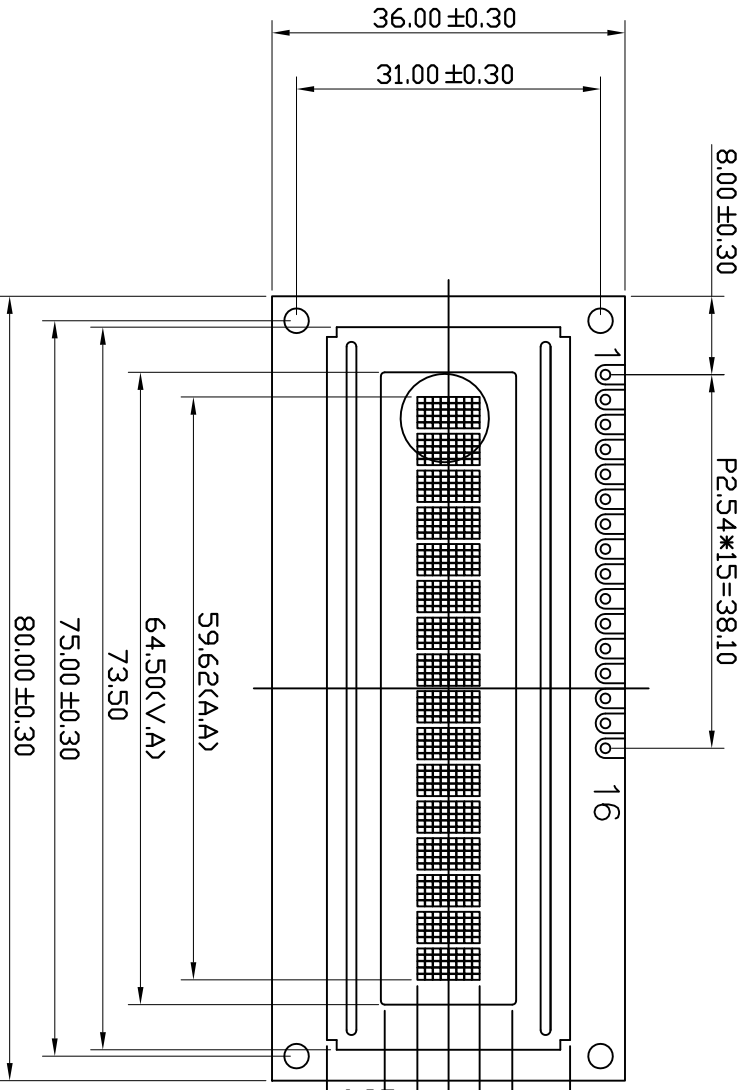


REV	DATE	DESCRIPTION	DESIGNED	CHECK	APPROVED



16	LED-
15	LED+
14	DB7
13	DB6
12	DB5
11	DB4
10	DB3
9	DB2
8	DB1
7	DB0
6	F
5	R/W
4	RS
3	VO
2	VDD
1	VSS
NO.	SYMBOL

**NOTE:**

1. MODE: STN-TRANSFLECTIVE-POSITIVE-Y/G-UV
2. 1/16 DUTY, 1/5BIAS, VOP=4.7V
3. VIEWING DIR.: 12:00
4. OP. TEMP.: -20~70°C
5. ST. TEMP.: -30~80°C
6. VDD=5.0V